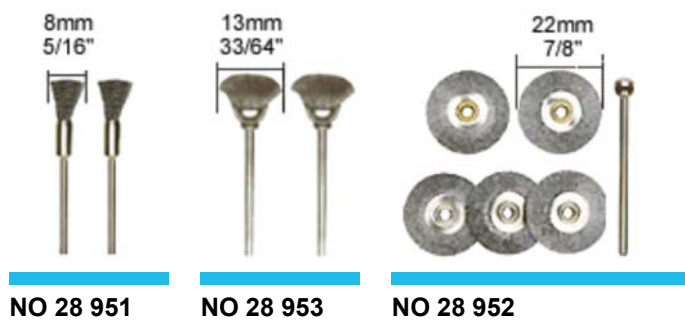




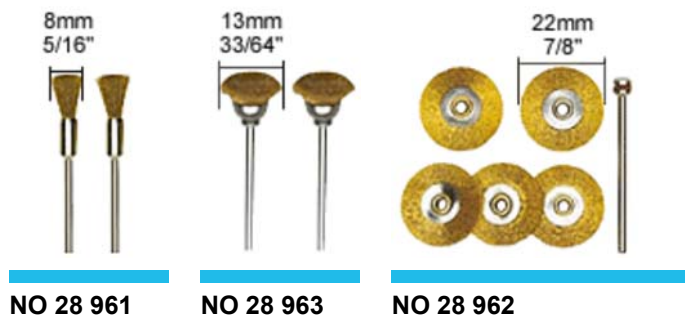
**Accessories for rotary tools in dental and industrial quality:
Cleaning Brushes.**

For steel, brass, stainless steel: Cleaning Brushes



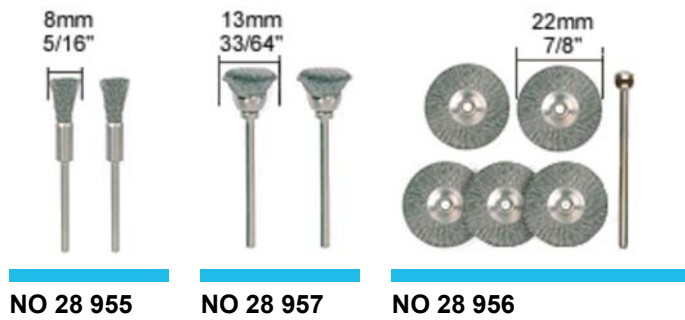
Carbon Steel Bristle, Cup and Wheel Brushes

Use on metal, non-ferrous and precious metal, casting, plastic, semi precious stone, stone and wood for deburring, polishing, rust removal, matting, paint and lacquer or cleaning electrical components. The flexibility of the wire makes the brush very conformable, so that also contoured shapes are easy to work on. All shanks: Ø 2.35mm (3/32").



Brass Bristle, Cup and Wheel Brushes

Ideal for surface cleaning on brass and brass alloys, copper, precious and semi-precious metals, stainless steel, semi-precious stones, plastic and wood. Acid resistant and electrically neutral, thus suitable for working with electronic components. All shanks Ø 2.35mm (3/32").



Stainless Steel Brushes, Cups and Wheels

For cleaning, brushing and cleaning stainless steel. Remove cinders and scales on stainless steel welding seams and soldering points. Can also be used on aluminium and non-ferrous heavy metal. Shaft Ø 2.35mm (3/32").

Note: Permit the brushes to work only with gentle contact pressure and at the recommended rotational speed! If the pressure is too high, the individual wires will be bent too strongly and afterwards straighten up again due to the centrifugal force. This excessive flexural fatigue stress of the wires on their seating promotes the notch effect. They are prone to breakage!

California Residents Prop 65 Information

⚠ WARNING:

This product can expose you to chemicals including lead, which are known to the State of California to cause cancer and birth defects or other reproductive harm. For more information go to www.P65Warnings.ca.gov.